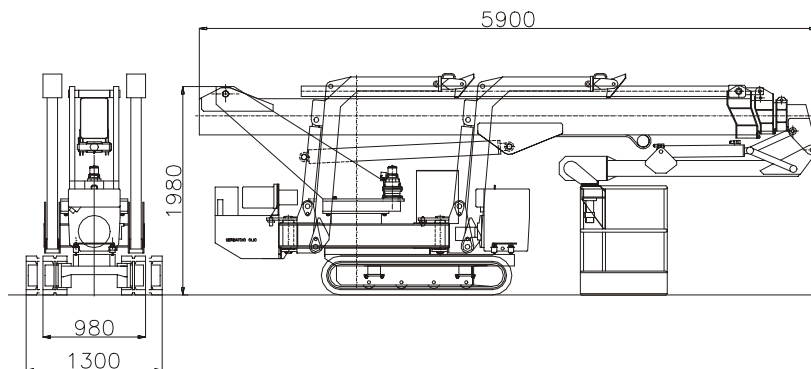


MOTORE DIESEL	DIESEL ENGINE	DIESELMOTOR	MOTEUR DIESEL	10 kW
MOTORE ELETTRICO	ELECTRIC MOTOR	ELEKTROMOTOR	MOTEUR ELECTRIQUE	220V-2,2kW
PENDENZA MAX	MAX SLOPE	MAX STEIGFAHIGKEIT	PENTE MAXI	35%
VELOCITA' MAX	MAX SPEED	MAX GESCHWINDIGKEIT	VITESSE MAXI	2 KM/H APPR
ROTAZIONE TORRETTA	TURNTABLE SLEWING	DREHTURM ROTATION	ROTATION TOURELLE	400°
NAVICELLA AEREA	AERIAL CAGE	ARBEITSKORB	NACELLE	1.75x2.0 x 0.8 m.
ROTAZIONE NAVICELLA	CAGE ROTATION	KORB ROTATION	ORIENTATION NACELLE	80°+ 80°
PORTATA UTILE	SAFE WORK. LOAD	ZULADUNG	CHARGE UTILE	200 KGS
PESO	WEIGHT	GEWICHT	POIDS	3.500 KGS



Palazzani Industrie SpA

25050 PADERNO F.C. (BS) ITALY
 TEL. ++39 030 6857073 - FAX ++39 030 657079
 mail: platforms@palazzani.it
 url: www.palazzani.it

Caratteristiche e dati tecnici sono puramente informativi e soggetti a variazione senza preavviso.
 Characteristics and technical data are informative only and subjected to change without notice.